

# ELECTROMECHANICAL OPERATOR FOR GARAGE DOORS

## FENIX

\_24Vdc Encoder



- \_ Smart. Self learning of the open/close travel and slow down distances
- \_ Safety. Obstacle detection
- \_ Easy to install
- \_ Quiet in operation



**ERREKA**



## FENIX KITS

### FENIX 1

FE80RES Operator (Reson receiver

incorporated) (1 pc.)

Chain rail AFE01 (1 pc.)

Two button transmitter LU02 (2 pcs.)

\* Kit example. Other kit combinations on request.

### Other accessories

Keypads, electrolocks, flashing lamps, rubber edges, magnetic loop metal detectors, traffic lights,...



#### KIT FENIX 1



FE80RES  
1 pc.



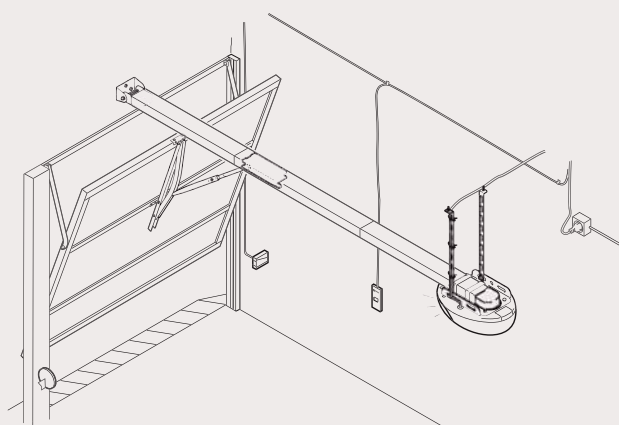
LUNA  
2 pcs.



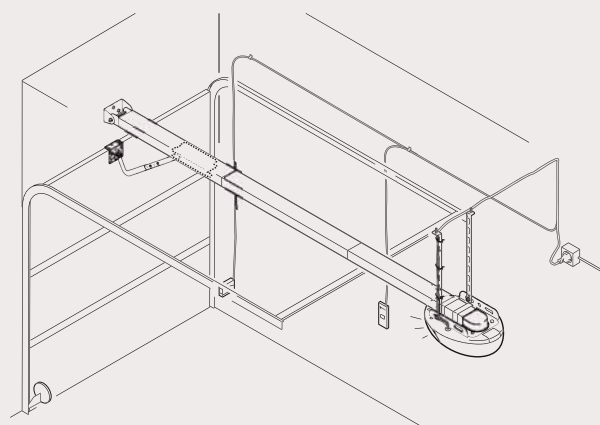
AFE01  
1 pc.

## TECHNICAL DATA

	FE80RES
Power supply	230 / 50 V
Absorbed power	0,25 Kw
Motor voltage	24 Vdc
Protection class	20 IP
Torque max.	800 N
Operating temperature	-20 / +60 °C
Operator weight without rail	4,5 kg
Use	Residencial



FENIX UP&OVER DOORS



FENIX SECTIONAL DOORS

